

ebm-papst Mulfingen GmbH & Co. KG

Bachmühle 2

D-74673 Mulfingen

Phone +49 7938 81-0

Fax +49 7938 81-110

info1@de.ebmpapst.com

www.ebmpapst.com

Nominal data

| | | | |
|-------------------------------|-----------------------|---------|---------|
| Type | R2E220-RB06-01 | | |
| Motor | M2E068-CF | | |
| Phase | | 1~ | 1~ |
| Nominal voltage | VAC | 230 | 230 |
| Frequency | Hz | 50 | 60 |
| Type of data definition | | ml | ml |
| Valid for approval / standard | | CE | CE |
| Speed | min ⁻¹ | 2500 | 2650 |
| Power input | W | 102 | 135 |
| Current draw | A | 0.45 | 0.60 |
| Motor capacitor | µF | 2.5 | 2.5 |
| Capacitor voltage | VDB | 400 | 400 |
| Capacitor standard | | P0 (CE) | P0 (CE) |
| Min. back pressure | Pa | 0 | 0 |
| Max. ambient temperature | °C | 60 | 70 |

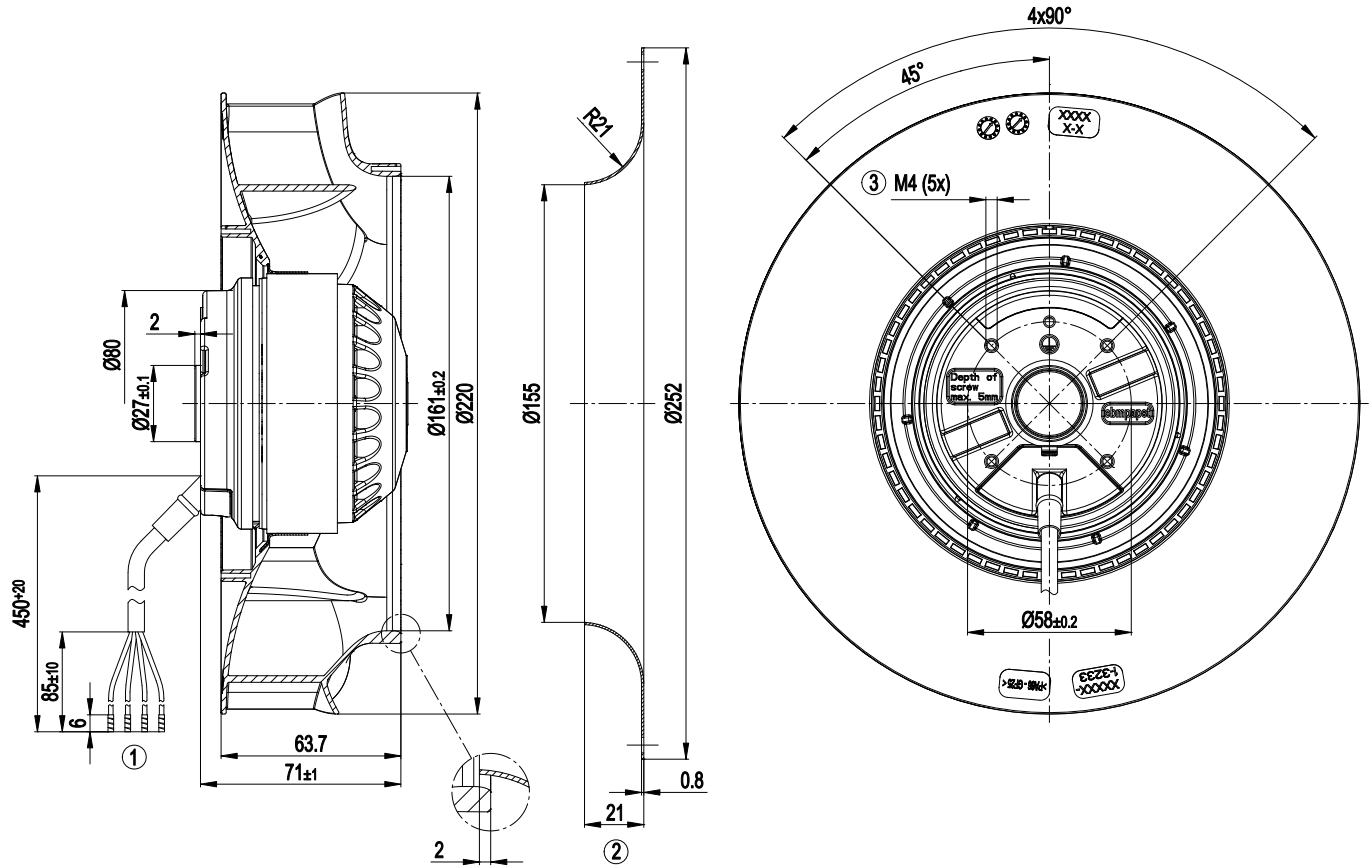
ml = max. load · me = max. efficiency · rfa = running at free air · cs = customer specs · cu = customer unit
Subject to alterations



Technical features

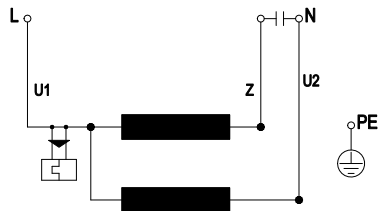
| | |
|---------------------------------------------------------|-----------------------------------------------------------------|
| Leakage current | < 0.75 mA |
| Size | 220 mm |
| Operation mode | S1 |
| Direction of rotation | Clockwise, seen on rotor |
| Mounting position | Shaft horizontal or rotor on bottom; rotor on top on request |
| Humidity class | F1-2 |
| Insulation class | "F" |
| Cable exit | Variable |
| Condensate discharge holes | Rotor-side |
| Motor bearing | Ball bearing |
| Material of impeller | Plastic PA6, fibreglass-reinforced |
| Motor protection | Thermal overload protector (TOP) wired internally |
| Product conforming to standard | CE; EN 60335-1 |
| Surface of rotor | Coated in black |
| Number of blades | 7 |
| Type of protection | IP 44; Depending on installation and position as per EN 60034-5 |
| Protection class | I |
| Max. permissible ambient motor temp. (transp./ storage) | + 80 °C |
| Min. permissible ambient motor temp. (transp./storage) | - 40 °C |
| Approval | CCC; GOST |

Product drawing



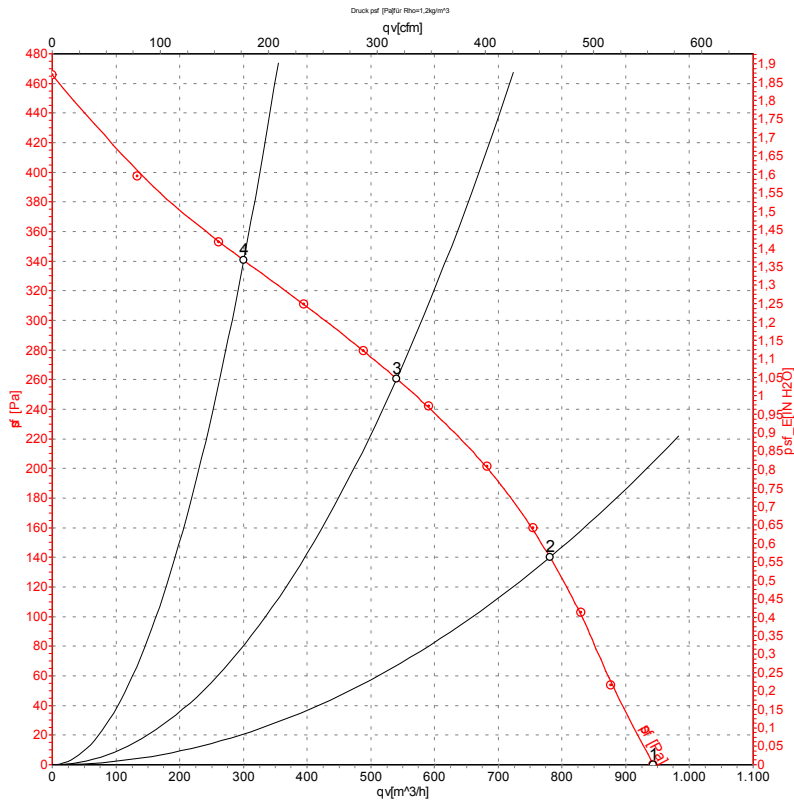
| | |
|---|-------------------------------------------------------------------------------------------|
| 1 | Connection line silicone 4G 0.5 mm ² , 4x brass lead tips crimped |
| 2 | Accessory part: Inlet nozzle 09609-2-4013, not included in the standard scope of delivery |
| 3 | Depth of screw max. 5 mm |

Connection screen



| | | | | | |
|----|--------------|---|-------|----|-------|
| U1 | blue | Z | brown | U2 | black |
| PE | green/yellow | | | | |

Charts: Air flow 50 Hz



Measurement: LU-129486

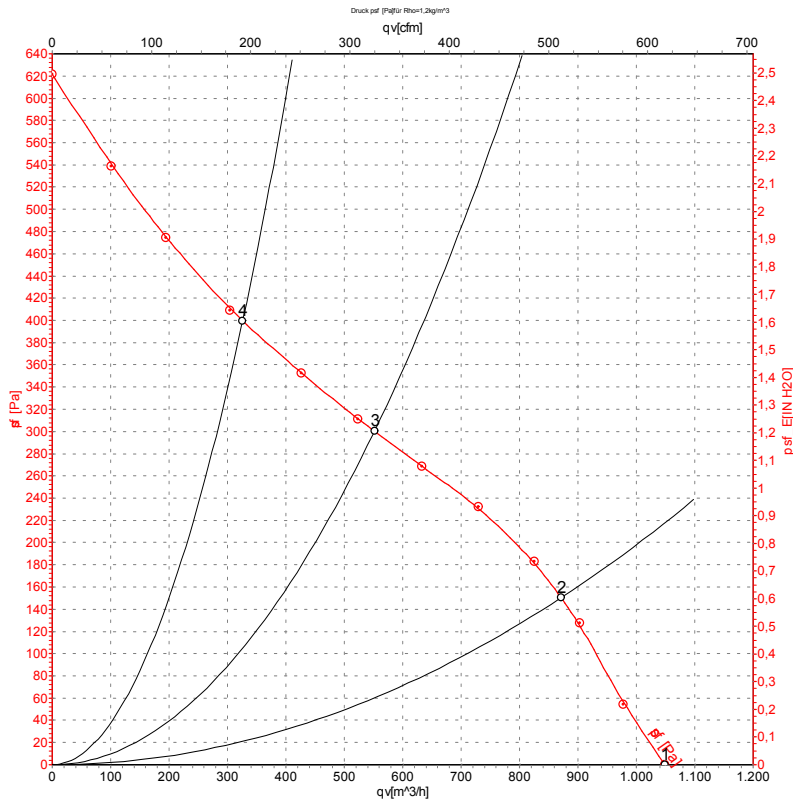
Air performance measured as per ISO 5801 Installation Category A. For detailed information on the measuring set-up, please contact ebm-papst. Suction-side noise levels: L_{wA} measured as per ISO 13347 / L_{pA} measured with 1m distance to fan axis. The values given are valid under the measuring conditions mentioned above and may vary according to the actual installation situation. With any deviation from the standard set-up, the specific values have to be checked and reviewed with the unit installed.

Measured values

| | U | f | n | P _e | I | L _{pA_{in}} | L _{wA_{in}} | qv | p _{sf} |
|---|-----|----|-------------------|----------------|------|------------------------------|------------------------------|-------------------|-----------------|
| | V | Hz | min ⁻¹ | W | A | dB(A) | dB(A) | m ³ /h | Pa |
| 1 | 230 | 50 | 2600 | 90 | 0.40 | 63 | 70 | 945 | 0 |
| 2 | 230 | 50 | 2575 | 96 | 0.43 | 59 | 66 | 780 | 140 |
| 3 | 230 | 50 | 2500 | 102 | 0.45 | 56 | 64 | 540 | 260 |
| 4 | 230 | 50 | 2580 | 95 | 0.42 | 59 | 67 | 300 | 340 |



Charts: Air flow 60 Hz



Measurement: LU-129487

Air performance measured as per ISO 5801 Installation Category A. For detailed information on the measuring set-up, please contact ebm-papst. Suction-side noise levels: LwA measured as per ISO 13347 / LpA measured with 1m distance to fan axis. The values given are valid under the measuring conditions mentioned above and may vary according to the actual installation situation. With any deviation from the standard set-up, the specific values have to be checked and reviewed with the unit installed.

Measured values

| | U | f | n | P _e | I | LpA _{in} | LwA _{in} | qv | p _{sf} |
|---|-----|----|-------------------|----------------|------|-------------------|-------------------|-------------------|-----------------|
| | V | Hz | min ⁻¹ | W | A | dB(A) | dB(A) | m ³ /h | Pa |
| 1 | 230 | 60 | 2900 | 120 | 0.53 | 65 | 73 | 1050 | 0 |
| 2 | 230 | 60 | 2805 | 127 | 0.55 | 61 | 68 | 870 | 150 |
| 3 | 230 | 60 | 2650 | 135 | 0.60 | 58 | 66 | 550 | 300 |
| 4 | 230 | 60 | 2795 | 126 | 0.55 | 61 | 69 | 325 | 400 |

